

# Product Sales Guide

## RX range

primus

*laundry equipment*

**X**treme  
in innovation

**Rigid mounted washer-extractors**

INNOVATION BY PRIMUS

**Version: 1.9**

*Washer Evolution.*

# RX range



RX80



RX105



RX135



RX180



RX240



RX280





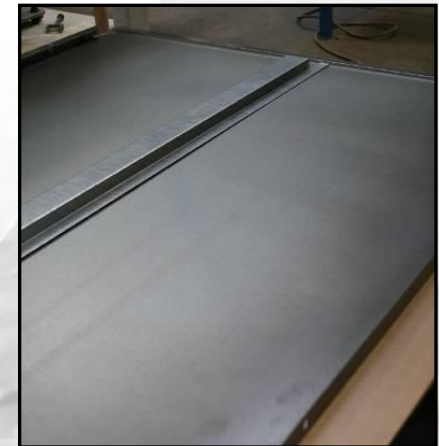
- **Front panel:** painted – standard  
stainless steel - option
- **Side panels:** painted
- **Ornamental plate:** black paint
- **Top panel:** stainless steel
- **Facia panel:** stainless steel

## Note:



**The same width of RX 80 / RX 135 and previous range RS 7 / RS13 660 mm resp. 750 mm = > very important for replacement market (coin shops etc.)**

- **Painted side panels**
  - **Reinforcement in side panels for extra strenght:**
    - U-profile: RX 80 / 105 1x
    - RX135 2x
    - RX180 / 240 / 280 2x



# Cross and bearing house

- **Modular bearing house design**
- **Star shape cast steel out of 1 piece:**
  - **Sandblasted and degreased**
- **Red painted**

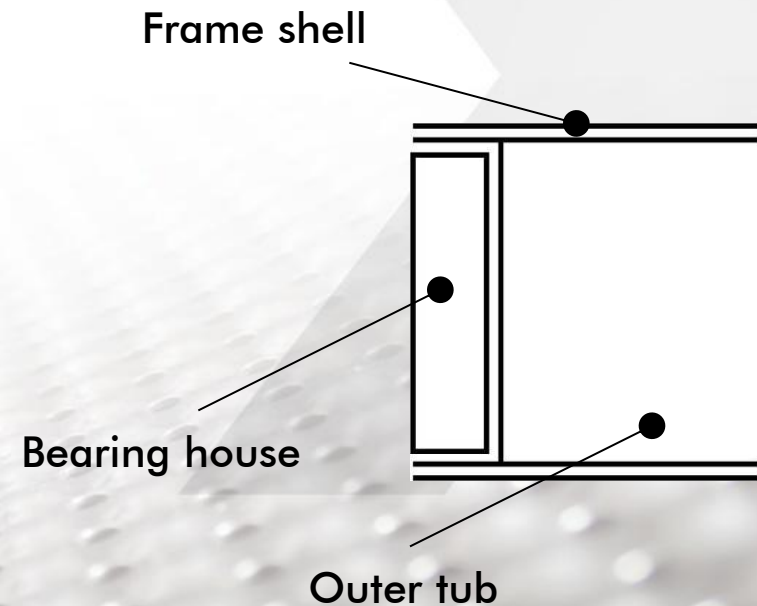


**Advantage:** Long life span & easy service



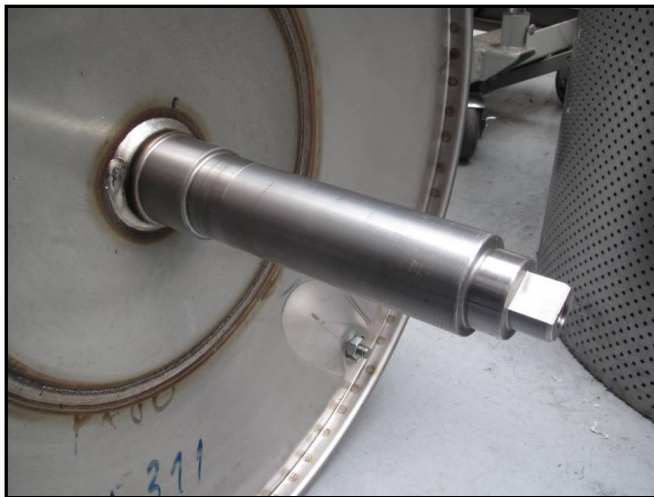
# Bearing house construction

- Bearing house is mounted at back of the tub inside the frame shell
- Vibrations are optimally diverted to the frame
- RX 180 / 240 / 280 with 200 G factor => reinforced construction  
=> similar to FX



# Shafts

- **Special black steel for Xtreme strength**
- **Oversized diameters**
- **Welded on the drum for long life span**
- **RX 180 / 240 / 280 with 200 G factor => longer shaft with diff. shape**



**Shaft (RX80-135)**



**Shaft with groove (RX180-280 /100G)**

- **High quality bearings SKF:**
  - **Ball bearings\***

## **200 G version:**

- **1+1 bearing for all models**

## **100 G version:**

- **1+1 bearing for model RX 180 / 240**
- **2+1 bearing for model RX 280**



**RX bearings**

**Advantage: Easy to replace bearings**

*\* RX280 with 200 G factor has ball and roller bearing*



# Outer tub

- **High quality stainless steel AISI 304**
  - **Easy assembly of front panel**
  - **Rubber seal with O cross section**



Outer tub (RX80-135)



Outer tub seal



Outer tub seal

- **3 radial seals FKM**
- **1 hardened sleeve**
- **Long life span**
- **Easy service:**
  - **Quick replacement time**



**Seals**



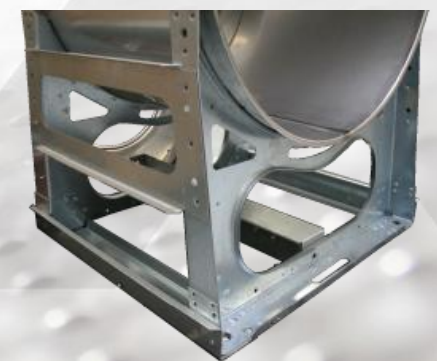
**Detail of seal**

# Frame

- Zinc plated steel
- Connected by „CLINCH“ technology (not welded)
- Extra plate for reinforcements (except RX80)



Reinforcement plates

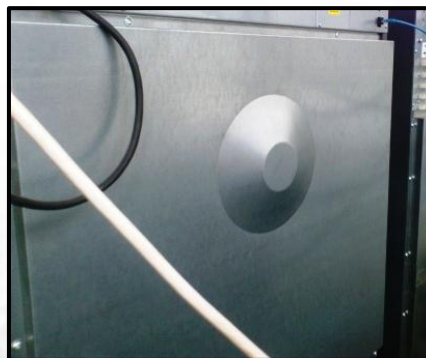


# Frame – 200G option

- **Double reinforcements (2x 3mm plates)**
- **Doubled flange**
- **The bulge on rear panel => due to longer shaft**



**Two reinforcement plates**



**Bulged rear panel**

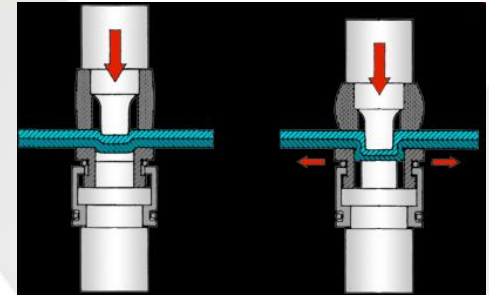


**Two flanges**



# Frame - Clinch technology

- **New technology**
  - **Not welded**
    - **Stronger assembly of parts**
      - **First time use on FX platform**



## Benefits:

- **Strength of the connections is same as by spot welding**
- **Connection does not rust**
- **Increasing productivity**
- **Shorter lead times**



- **Main pulley: Aluminium**
  - **Motor pulley: Black steel**
  - **Easy service**

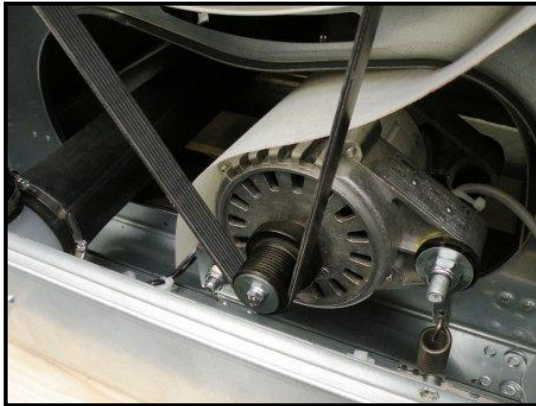


**RX135**



**RX240**

# V-belts



V-belt on motor drive



Close up V-belts

- 1 micro V-belt per machine
- **RX 80**: V-belt with 6 ribs
- **RX 105 - 135**: V-belt with 8 ribs
- **RX 180 - 280**: V-belt with 12 ribs
- Belts are mechanically tensioned by bolt

# Motor

- **Frequency controlled drive**
- **New motor:**
  - **Higher torque**
  - **High extraction speed**
  - **Lower noise**
  - **Less unbalances**



**RX105 motor**

		<b>RX80</b>	<b>RX105</b>	<b>RX135</b>	<b>RX180</b>	<b>RX240</b>	<b>RX280</b>
Motor power	(kW)	0,5	0,55	0,75	0,75/1,1*	1,1/1,5*	1,5/1,5*
Wash speed	(rpm)	50	46	46	42	42	42
Extraction speed	(rpm)	820	760	760	490/690*	490/690*	490/690*
G-Factor		200	200	200	100/200*	100/200*	100/200*
Noise - wash	(dB)	49	49	48	48/50*	50	50
Noise - extraction	(dB)	53	53	55	55/65*	65	65

\* 200 G-factor option

# Heating - Electrical



Heating elements  
in the front



Heating element (RX80-135)

- **Positioned in front of machine**
- **Easy access for quick service**
- **Short wash cycles**

	<b>RX80</b>	<b>RX105</b>	<b>RX135</b>	<b>RX180</b>	<b>RX240</b>	<b>RX280</b>
Electrical heating (kW)	6 / 9 (4,6)	6 / 9 / 12	9 / 12	12/18	18	22



# Heating - Steam



Steam execution RX80-135



Steam execution RX180-280



Steam injector

- **Direct steam**
- **1-8 bars**
- **Positioned in the back**
- **Connection inside the machine = a stainless steel tube**
- **Combination with electrical heating is possible**
- **Switch between steam and electrical heating is on the back panel**



# Water inlets

- **Standard 2 inlet valves**
- **Optional 3<sup>rd</sup>**
- **Standard cool down**
- **3/4" inlet valves**
- **RX280 is equipped with 2 high capacity water inlets (option for RX180-240)**
- **Easy to remove filter without having to remove the valve: service friendly**



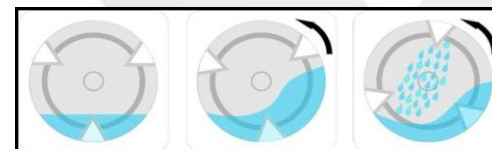
**Standard water inlets**



**High capacity water inlets (RX280)**

# Inner drum

- 3 lifting ribs for ideal mechanical action
- Stainless steel AISI 304
- Perforated ribs („PowerWash™“)
- New perforation („Cascade™“)



	RX 80	RX 105	RX 135	RX 180	RX 240	RX 280
<b>Volume (l)</b>	75	105	135	180	240	280
<b>Capacity (kg)</b>	8	11	14	18	24	28
<b>Diameter (mm)</b>	530	620	620	750	750	750
<b>Depth (mm)</b>	350	350	450	410	545	620



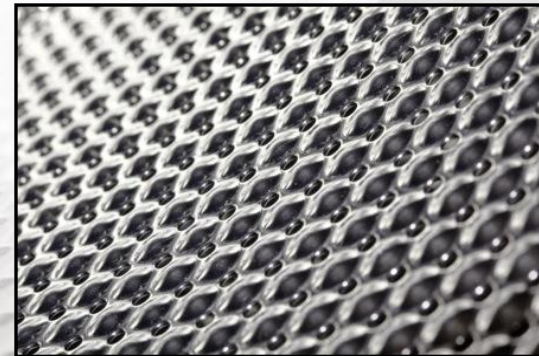
Rib in inner drum

# Inner drum - Cascade™

primus  
laundry equipment



- More perforations » **optimized** water evacuation
  - Less residual water » **lower** rest humidity
    - Cascade shape of holes » **better** washing results



# Door opening

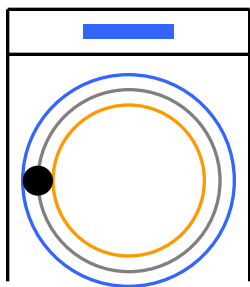
- **Opening angle: 170°-180°**
  - **Easy loading & unloading**



	<b>RX 80</b>	<b>RX 105</b>	<b>RX 135</b>	<b>RX 180</b>	<b>RX 240</b>	<b>RX 280</b>
Door opening (mm)	330	410	410	460	460	460
Door material	Al	Al	Al	Al	Al	Al
Floor to door (mm)	349	344	344	465	465	465

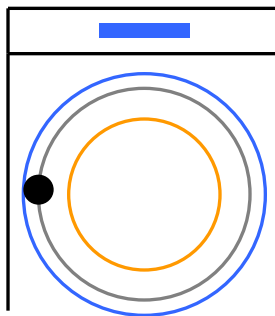
# Door opening – comparison\*

**RX 80:**



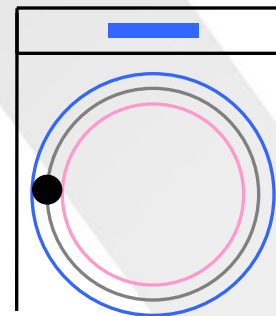
Primus  
Electrolux  
IPSO

**RX 105:**






Primus  
Electrolux  
IPSO

**RX 135:**



Primus  
Electrolux  
Girbau

	<b>RX80</b>	<b>RX105</b>	<b>RX135</b>	<b>RX180</b>	<b>RX240</b>	<b>RX280</b>
<b>Door diameter (mm)</b>	<b>330</b>	<b>410</b>	<b>410</b>	<b>460</b>	<b>460</b>	<b>460</b>

<b>Electrolux</b> 	310	365	365	395	435	435
<b>IPSO</b> 	300	300	300	400	400	400
<b>Girbau</b> 	-	322	327	327	426	-
<b>UniMac</b>	295	-	364	413	-	413
<b>Image</b>	-	-	400	400	-	450
<b>Imesa</b>	282	282	380	380	380	400

\* according to available data



# Door handle, door lock



**Door knob**



**Door lock**

- **Ergonomic door knob for easy opening**
- **Scandinavian design**
- **Strong overdimensioned door lock for safety**

# Door handle, door lock

- **Safety system to protect destroying of the handle during operation**



- **System (due to the possibility of slipping in both extreme positions) prevents accidental damage when using greater force**

# Hinges



**Hinges**

- **Oversized hinges for long life span**
- **Integrated in the new design**



**Close up hinges**



**Open door hinges**



**Open door hinges**



**Drain under tub**



**Drain under tub**

- **Directly under the tub:**
  - Low water consumption
  - No wasted chemicals
- **Standard 3" drain valves:**
  - Small objects are evacuated
- **90° drain valve:**
  - Auto-rinsing effect behind the valve
- **Flow amount:**
  - 210 l / min
- **Easy service:**
  - Access from the front of machine
- **Option:**
  - 2<sup>nd</sup> drain valve for water recuperation
  - Drain pump (only for **RX 80**)



# Soap box

- **4 compartments on middle of the top**
  - 2 for powder and 2 for liquid soap
- **Scandinavian design**
- **Ergonomical position:**
  - Front and center
- **Easy service:**
  - 4 compartments next to each other: No confusion



Soap box



Lid of soap box

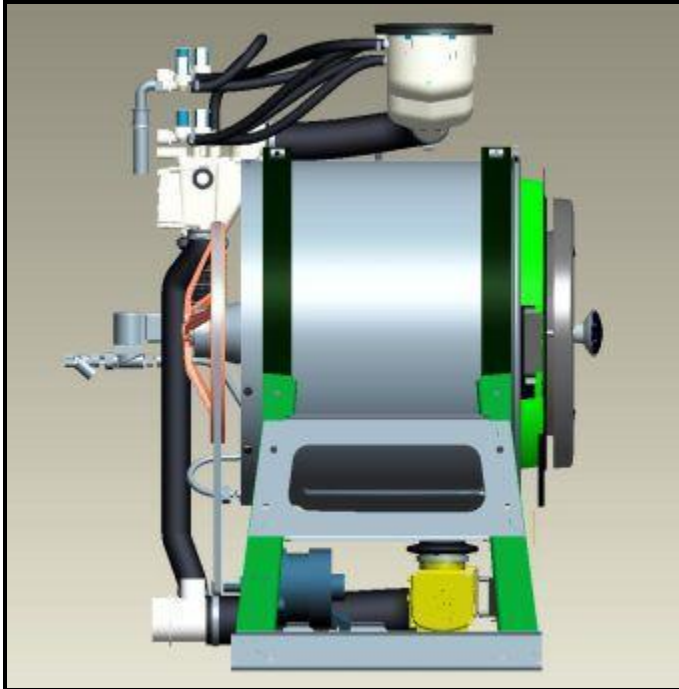
# Soap box

- **Anti-damage protection**



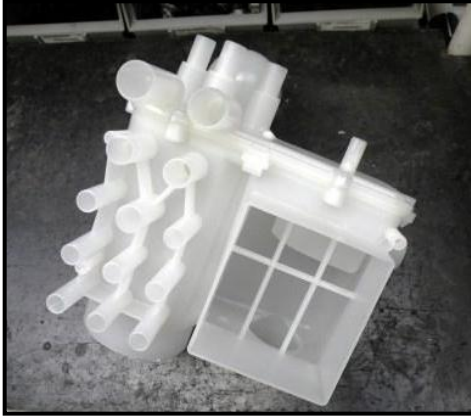
- **Rubber top of soap box is fully flexible, thus preventing any damage during handling**

# Soap box – connection to the tub

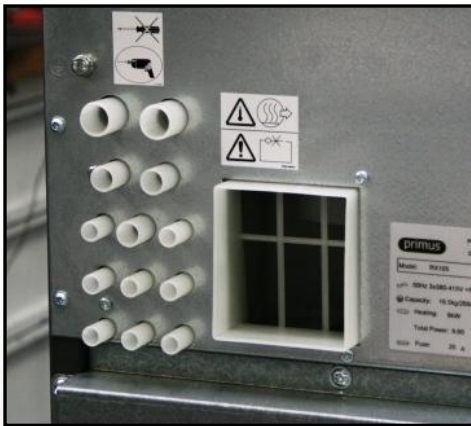


- No aggressive chemicals directly on the linen
- Chemicals enter the tub between the back plate of the tub and the drum

# Soap box - mixer



Mixer

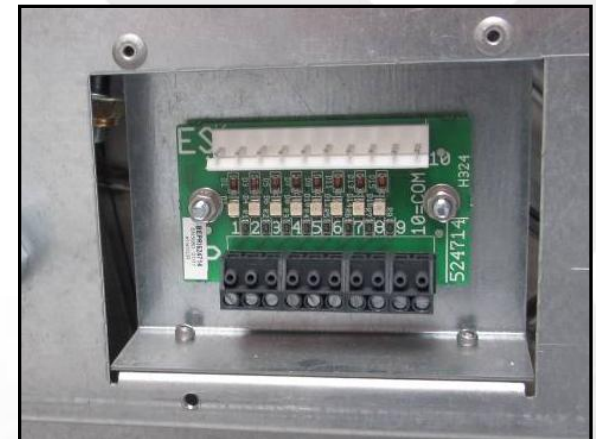


Liquid soap connection

- Soap mixer is a standard feature on **RX** line
- Liquid soap pumps can be connected to the mixer
- Chemicals are diluted before entering the tub
- No hot water directly on the linen



- **Easy soap is an option on the RX line**
- **Electrical board with connection to the liquid soap inlets is added**
- **Easy service:**
  - **Machine remains unopened**



**For fixation plastic box with PCB board and 8 LED please unscrew cover on rear bridge**

- **Up to 13 liquid soap pumps possible, connected to the soap box by hose:**
  - 2x Ø19mm
  - 3x Ø14,5mm
  - 8x Ø11,5mm
- **Connected to liquid soap** (inlets are parts of mixer)
- **No hot water directly on the linen**
- **Holes of the liquid soaps inlets must be drilled through the detergent suppliers according to their requirements**



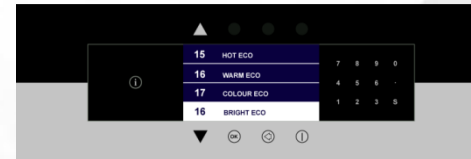
# Control panel



## XControl:

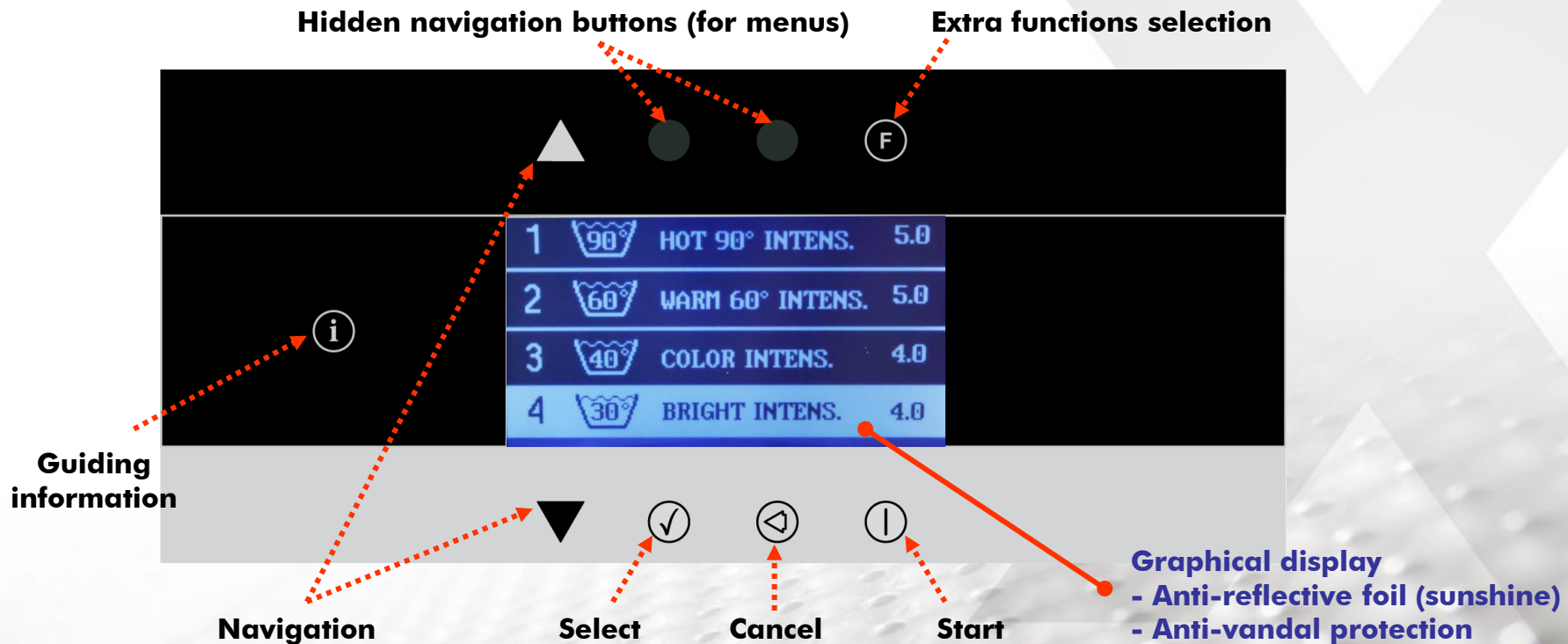


## XControl+:



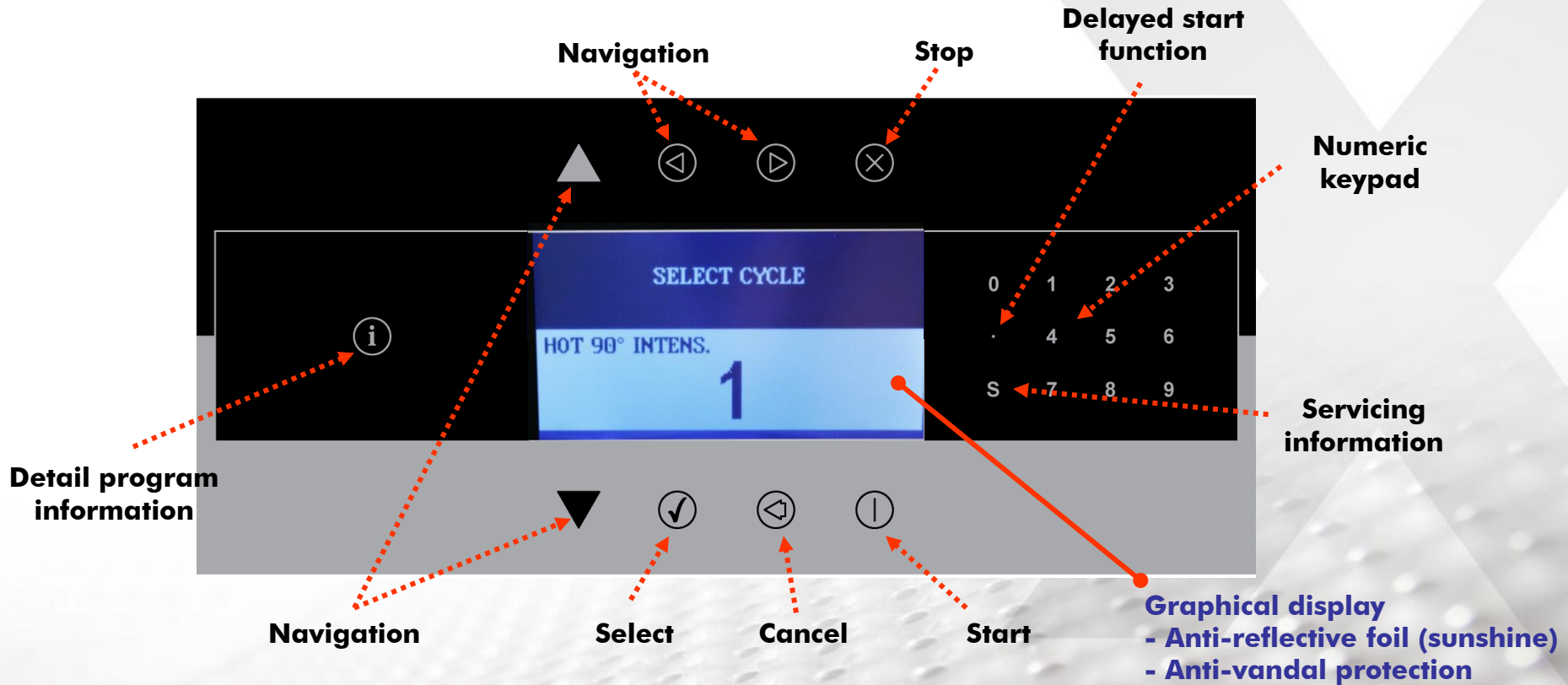
- **Stainless steel**
- **Easy to open**

- 7 buttons + 2 hidden



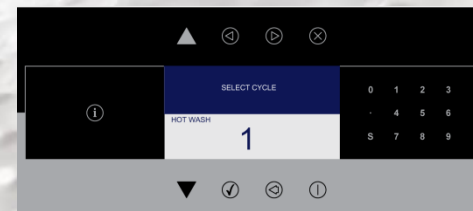
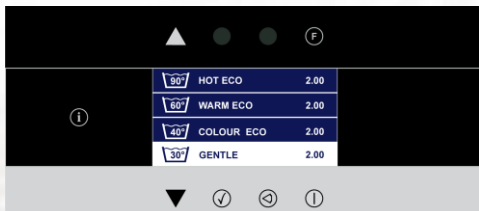


- 21 buttons



# Control - buttons

<b>XControl</b>		<b>XControl+</b>
7 + 2 hidden	Number of buttons	21
✗	Navigation horizontal	✓
✓	Navigation vertical	✓
✓	Select	✓
✓	Start	✓
✗	Stop	✓
✓	Cancel	✓
✓	Detail program information	✓
✗	Numeric keypad (0-9)	✓
✓	Extra functions selection	✗
✗	Delayed start	✓
✗	Servicing information	✓




## XControl

- **OPL / Coin version**
- **15 pre-set programs (5 in Coin ver.)**
- **20 languages**
- **Free programmable**
- **Factory pre-set programs:**
  - 5x Intensive
  - 4x Standard
  - 4x Eco
  - 2x Extraction
- **Extra wash / drain steps:**
  - Spray
  - Cool down
  - Soak
  - Static drain
  - Reverse drain

## XControl+

- **OPL version**
- **20 pre-set programs (up to 99)**
- **20 languages**
- **Free programmable**
- **Factory pre-set settings:**
  - 5x Intensive
  - 4x Standard
  - 4x Eco
  - 2x Extraction
  - 5x Special (Sport, Mops, Jeans,..)
- **Extra wash / drain steps:**
  - Spray
  - Cool down
  - Soak
  - Static drain
  - Reverse drain

# Programmes

No.	Name	Temp. °C	Description	Prewash	Rinses
1	Hot wash - Intensive	90	Normally to heavily soiled laundry. Good temperature for white and light coloured cotton, such as bed linen	Yes	3
2	Warm wash - Intensive	60	Normally soiled laundry. Good for clothes worn next to skin	Yes	3
3	Color wash - Intensive	40	Normally soiled laundry, whites and colors	Yes	3
4	Bright - Intensive	30	For delicate blended materials and permanent press cotton. Suitable for shirts and blouses	No	3
5	Woolens	15	A gentle laundry program for wool, silk and garments that should be washed by hand. Short spin	No	3
6	Hot wash - Standard	90	Normally to heavy soiled laundry with less water consumption	No	3
7	Warm wash - Standard	60	Normally soiled laundry with less consumption	No	3
8	Color - Standard	40	Normally soiled laundry, whites and colors. With less water consumption	No	3
9	Bright - Standard	30	For delicate blended materials and permanent press cotton. Suitable for shirts and blouses. With less water consumption	No	3
10	Eco hot	90	Ecology program for normal to heavy soiled laundry	No	2
11	Eco warm	60	Ecology program for normal soiled laundry	No	2
12	Eco color	40	Ecology program for normal soiled laundry, whites and colors	No	2
13	Eco bright	30	Ecology program for delicate blended materials and permanent press cotton. Suitable for shirts and blouses	No	2
14	Low spin - Extraction		Suitable for laundry that just needs to be dampened	No	1
15	High spin - Extraction		Suitable for laundry that just needs to be dampened	No	1
16-20	Special (only  )		Special programmes for sport garments, jeans, mops, etc		



# Coin operated

- **Electronical or mechanical coin meter**
  - **Large integrated coin box**
    - **Central payment as an alternative**



**Coin box facia panel**

- **RX** machines correspond to all **CE** and **EMC** directives, **WRAS** approval
- **Noise level below 65 dB**
- **Standard: Emergency button (none on coin and CPS machines)**
- **One mainswitch**
- **Buzzer signal at end of cycle**



**Emergency button**



**Main switch**

- **Unbalance detection system**
- **Ultra Balance detects any unbalance and adapts the spin speed accordingly**

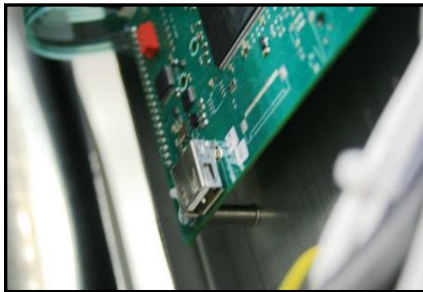
## ultra@balance

### Advantages:

- **the machine is optimally protected against unbalances, which results in a longer lifetime**
- **the noise level is reduced even more**
- **optimised stability during the entire cycle**

- **Connection inside the machine or at rear panel (option)**
- **Export programmes from the machine**
- **Import\* programmes to the machine**
- **Copy of the machine settings from machine (machine parametres)**
- **Import machine settings and programmes to the machine (created in TraceTech)**
- **Simple firmware update**

## Inside the machine: (standard)



## Back side of the machine: (option)



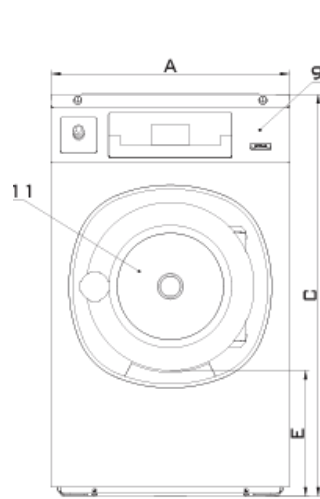
**\* At the moment you can copy and import programs *only* from and to the same model of washer – e.g., from an FX80 *only* to another FX80.**

# Voltages

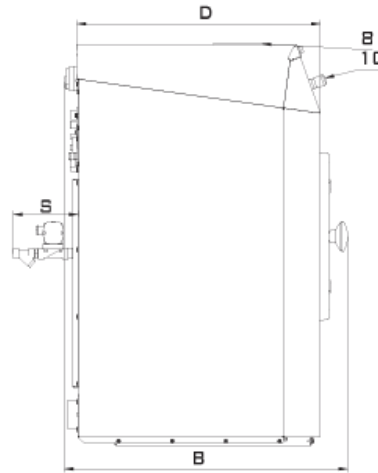
	<b>RX80</b>	<b>RX105</b>	<b>RX135</b>	<b>RX180</b>	<b>RX240</b>	<b>RX280</b>
<b>Electrical / steam / hot water</b>				3x380-415V+N 50/60Hz 3x220-240V 50/60Hz 3x200-208V 50/60Hz 3x380-415V 50/60Hz 3x440-480V 50/60Hz		
<b>Steam / hot water</b>				1x200-208V 50/60Hz 1x220-240V 50/60Hz		



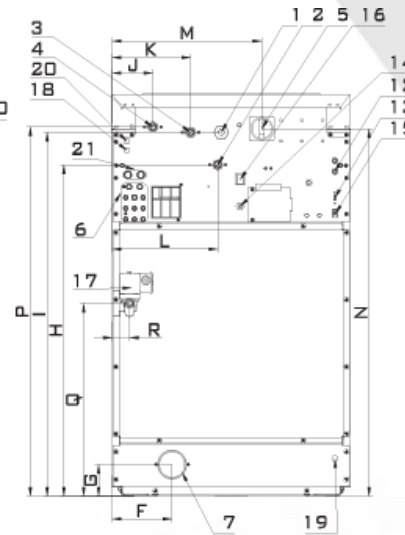
# Dimensions



Front side



Left side



Rear side

- 1 Electrical connection
- 2 Hot water
- 3 Cold water hard
- 4 Cold water soft
- 5 Main switch
- 6 Liquid soap connection
- 7 Drain
- 8 Soap dispenser
- 9 Control panel
- 10 Button CENTRALSTOP
- 11 Door opening,  
RX80: Ø 330mm;  
RX105, RX135: Ø 410mm
- 12 Fuses
- 13 USB port
- 14 Electrical connection  
to liquid soap pumps

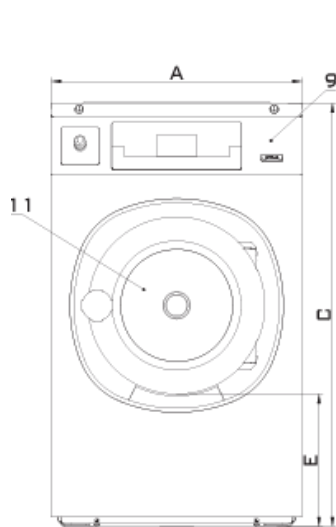
**RX 80**

**RX 105**

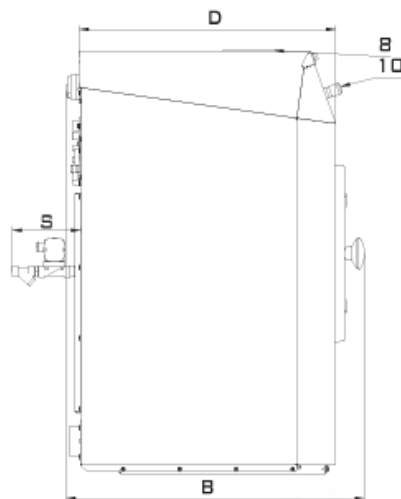
**RX 135**

	(mm)	1115x660x785	1225x750x785	1225x750x900
Dimensions HxWxD	(mm)	1115x660x785	1225x750x785	1225x750x900
Transport dimensions HxWxD	(mm)	1230x690x825	1335x780x825	1335x780x940
Net weight	(kg)	135	170	190
Gross weight	(kg)	145	185	200

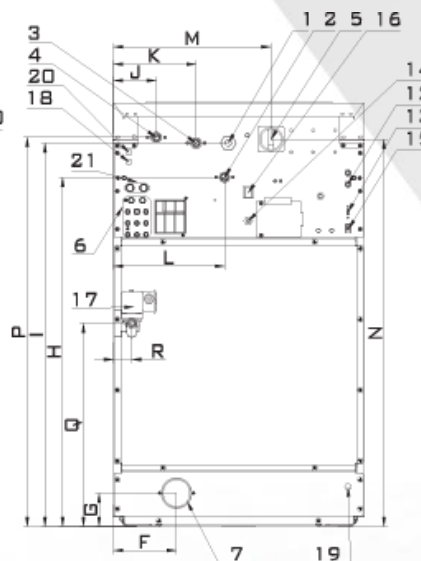
# Dimensions



Front side



Left side



Rear side

- 1 Electrical connection
- 2 Hot water
- 3 Cold water hard
- 4 Cold water soft
- 5 Main switch
- 6 Liquid soap connection
- 7 Drain
- 8 Soap dispenser
- 9 Control panel
- 10 Button CENTRALSTOP
- 11 Door opening  
Ø 460mm
- 12 Fuses
- 13 USB port
- 14 Electrical connection  
to liquid soap pumps

		<b>RX 180</b>	<b>RX 240</b>	<b>RX 280</b>
Dimensions HxWxD	(mm)	1410x890x915	1410x890x1060	1410x890x1135
Transport dimensions HxWxD	(mm)	1535x920x960	1535x920x1125	1535x920x1185
Net weight	(kg)	255/315*	270/330*	290/355*
Gross weight	(kg)	270/335*	290/355*	305/385*

\* 200 G-factor option

# Overview

primus

laundry equipment

TYPE		RX80	RX105	RX135
INNERDRUM				
maximum capacity 1:9	kg	9	12	15
capacity 1:10	kg	8	11	14
volume	litres	75	105	135
diameter	mm	530	620	620
DRUM SPEED				
wash	rpm	50	46	46
extraction	rpm	820	760	760
G-FACTOR		200	200	200
HEATING				
electricity ( <b>standard</b> )	kW	<b>6 / 9</b>	<b>6 / 9 / 12</b>	<b>9 / 12</b>
steam	bar	1 - 8	1 - 8	1 - 8
hot water	°C	90	90	90
Sound pressure level	dB (A)	< 65	< 65	< 65
Water valves connection	BSP	3/4"	3/4"	3/4"
Water pressure	kPa	100-800	100-800	100-800
Rec. water pressure	kPa	300-500	300-500	300-500
Water inlet	l/min	20	20	20
Drain valve	outer Ø mm	76	76	76
Flow amount with drain valve	l/min	210	210	210
Steam valve connection	BSP	1/2"	1/2"	1/2"
Steam pressure	kPa	100-800	100-800	100-800
DIMENSIONS				
Size H×W×D	mm	1115×660×785	1225×750×785	1225×750×900
TRANSPORT DATA				
Gross	kg	145	185	200
Net	kg	135	170	190
Packed H×W×D	mm	1230×690×825	1335×780×825	1335×780×940

# Overview

primus

laundry equipment

TYPE		RX180	RX240	RX280
INNERDRUM				
maximum capacity 1:9	kg	20	27	32
capacity 1:10	kg	18	24	28
volume	litres	180	240	280
diameter	mm	750	750	750
DRUM SPEED				
wash	rpm	42	42	42
extraction	rpm	490 (690)*	490 (690)*	490 (690)*
G-FACTOR		100 (standard) 200*	100 (standard) 200*	100 (standard) 200*
HEATING				
electricity <b>(standard)</b>	kW	<b>12 / 18</b>	18	22
steam	bar	1 - 8	1 - 8	1 - 8
hot water	°C	90	90	90
Sound pressure level	dB (A)	< 65	< 65	< 65
Water valves connection	BSP	3/4"	3/4"	3/4"
Water pressure	kPa	100-800	100-800	100-800
Rec. water pressure	kPa	300-500	300-500	300-500
Water inlet	l/min	20	20	20
Drain valve	outer Ø mm	76	76	76
Flow amount with drain valve	l/min	210	210	210
Steam valve connection	BSP	1/2"	1/2"	1/2"
Steam pressure	kPa	100-800	100-800	100-800
DIMENSIONS				
Size HxWxD	mm	1410x890x915	1410x890x1060	1410x890x1135
TRANSPORT DATA				
Gross	kg	270 (335)*	290 (355)*	305 (385)*
Net	kg	255 (315)*	275 (330)*	290 (355)*
Packed HxWxD	mm	1535x920x960	1535x920x1125	1535x920x1185

\* 200 G-factor execution

- **Stainless steel front panel**
- **Steam heating version**
- **Larger drum holes (7mm)**
- **XControl Plus – fully programmable**
- **Coin operated timer (CPS)**
- **3rd water inlet**
- **Large capacity water inlets (3/4") – only for RX180/240**
- **USB plug (on the back panel)**
- **Easy Soap – liquid soap connection**
- **Liquid soap pumps**
- **Water recovery kit**
- **Drain pump - only for RX80**
- **Plinth in painted steel – only for RX80-180**



# Markets

## Laundry



## Various



# Discover more @ the Primus website

## Language versions:

- English
- French
- Dutch
- Czech
- Russian
- German
- Italian
- Spanish



Follow us on: [facebook](#). [YouTube](#)

*This is a non-binding and indicative tool made available to Primus distributors for internal use only. Proprietary rights with regard to this tool belong to Primus CE s.r.o. No guarantee can be given that its results are up-to-date and accurate and it should therefore be used with particular circumspection. This tool should by no means be transmitted to any third party or otherwise made public. Please inform Primus' marketing team of any remark you have in respect of this tool.*

© 2014 Primus CE s.r.o. All rights reserved.